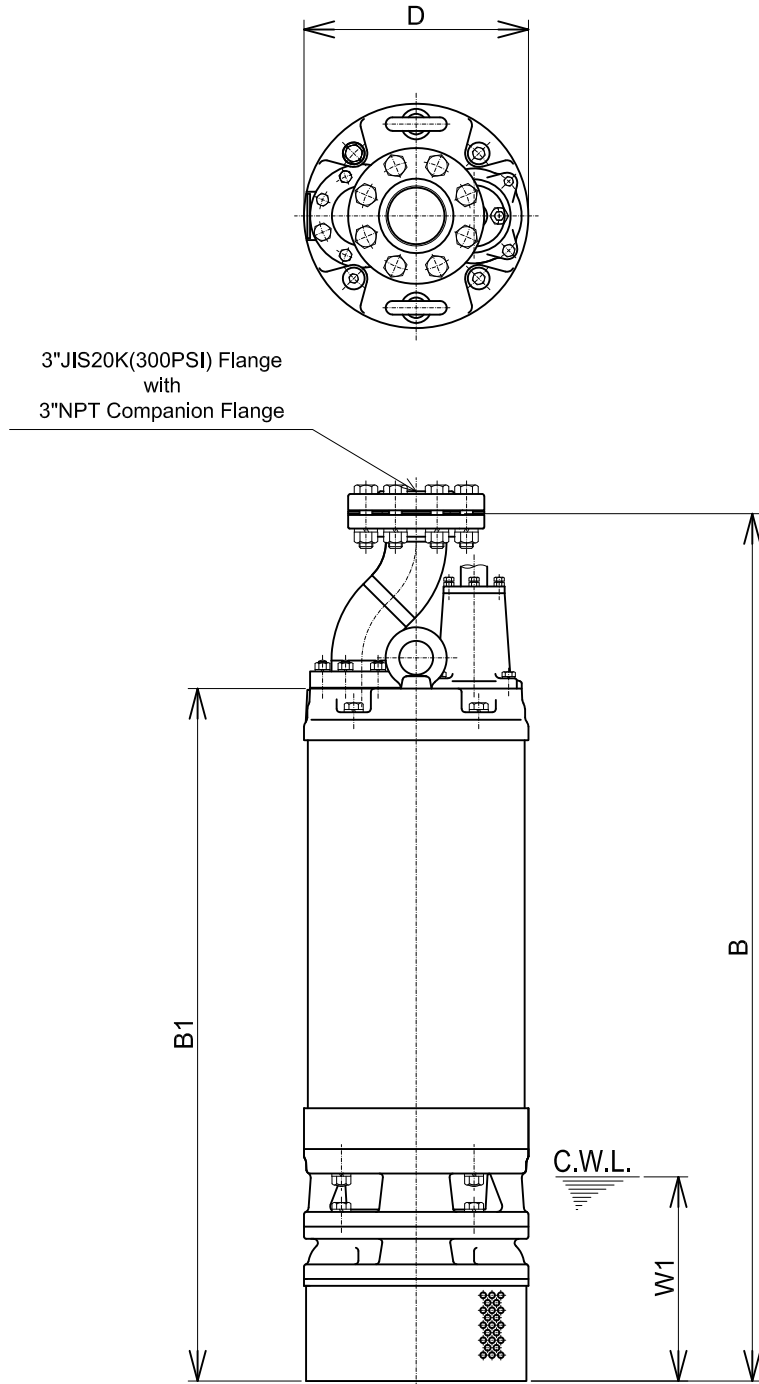


LH322W-14-61



C.W.L. :Continuous running Water Level

DIMENSIONS:USCS (Inch)

Model	HP	NOM. SIZE	Pump & Motor			C.W.L.	Wt. (lbs.)
			B	B1	D	W1	
LH322W-14-61	30	3"	50 3/16	40 1/16	13	11 3/4	750

DIMENSIONS:METRIC (mm)

*Excluding Cable

Model	HP	NOM. SIZE	Pump & Motor			C.W.L.	Wt. (kg)
			B	B1	D	W1	
LH322W-14-61	22	80	1275	1018	330	300	340

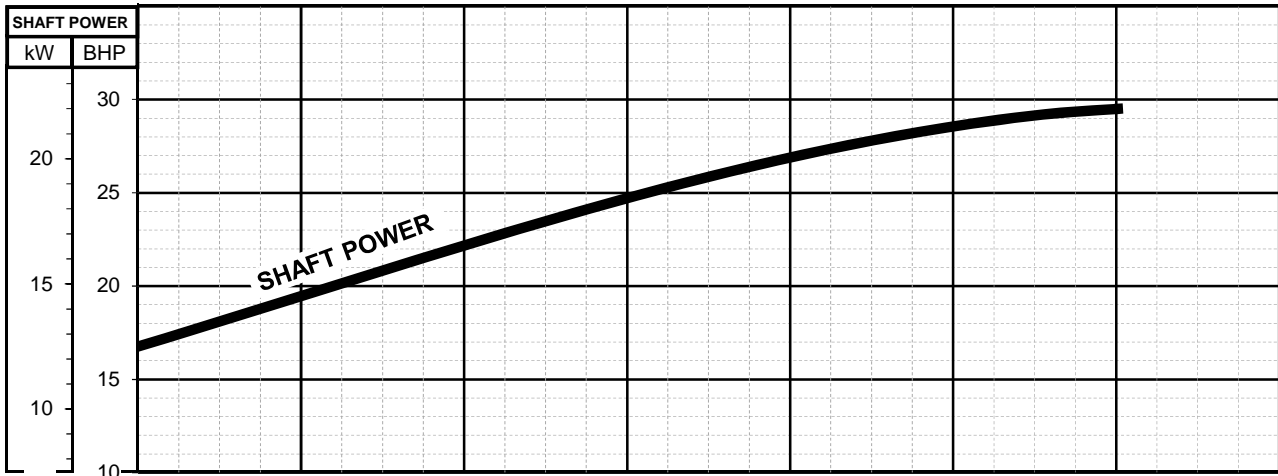
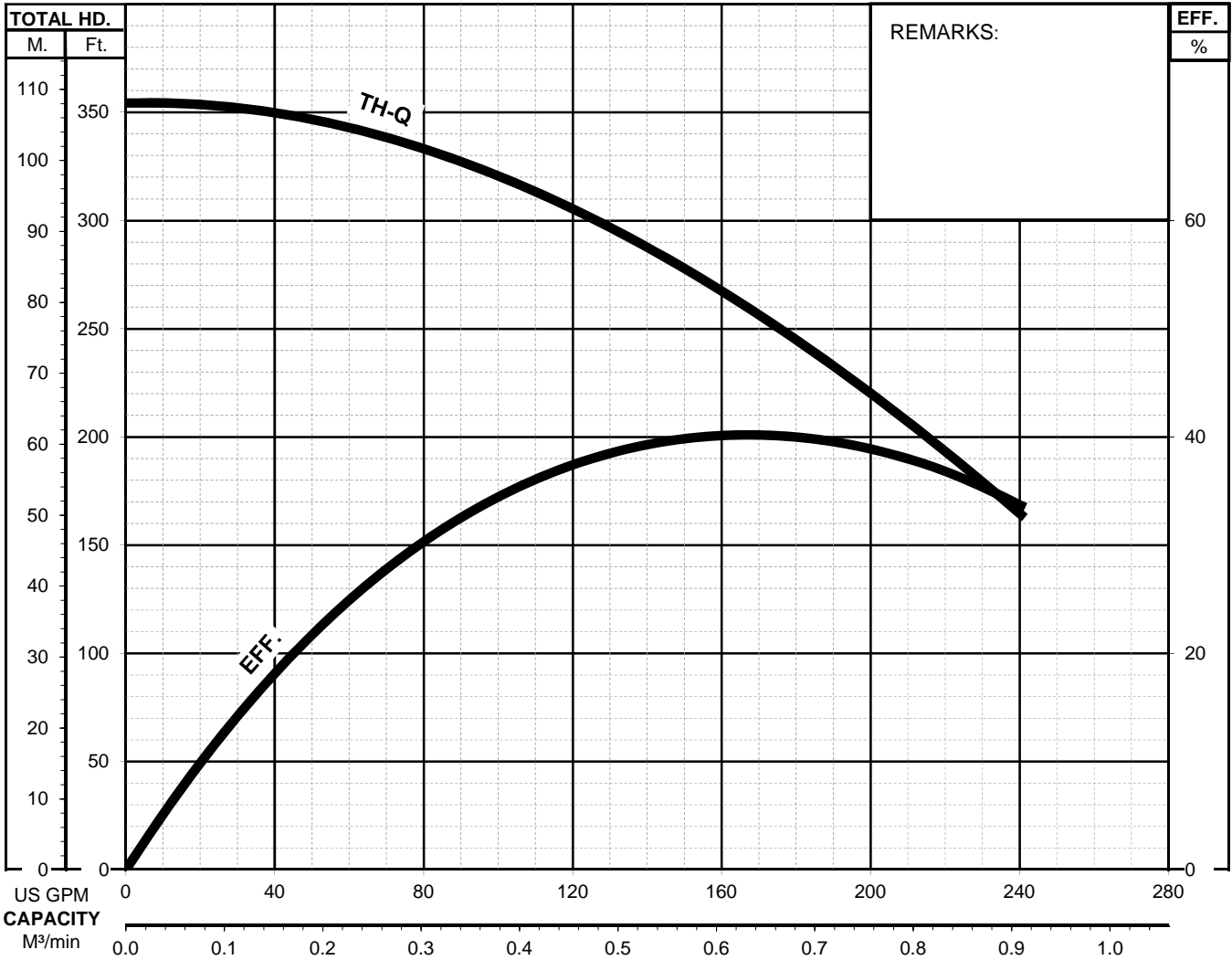


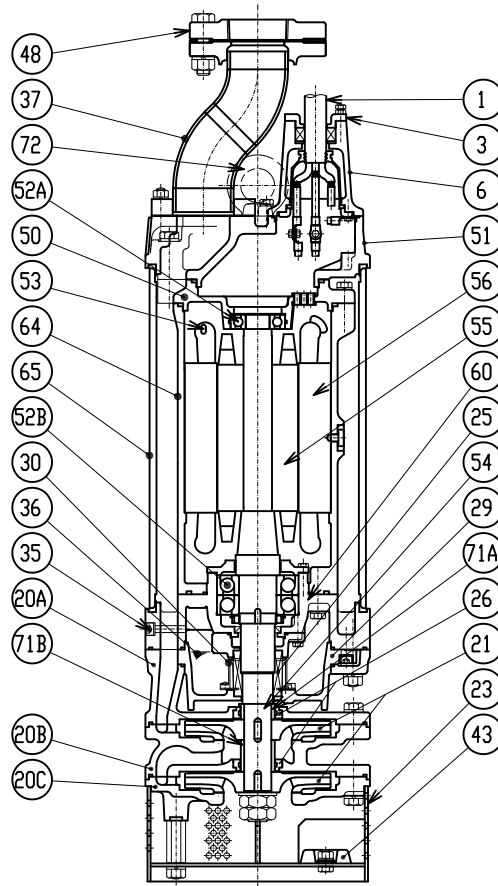
LH-W - SERIES (SCS14)

HIGH HEAD - STAINLESS STEEL CASTING DEWATERING PUMPS

PERFORMANCE
CURVE

MODEL	BORE	HP	kW	RPM	SOLIDS DIA.	LIQUID	SG.	VISCOSITY	TEMP.
LH322W-14-61	3"/80mm	30.0	22.0	3490	0.334"/8.5mm	Water	1.0	1.123cSt.	60°F
PUMP TYPE	PHASE	VOLTAGE	AMPERAGE	HZ	STARTING METHOD	INS. CLASS			
Dewatering Pump	3	460/575	35.5/28.0	60	Direct On Line	F			
CURVE No.	DATE	PHASE	VOLTAGE	AMPERAGE	HZ	STARTING METHOD	INS. CLASS		
-	-	-	-	-	-	-	-		



LH322W-14-61


ITEM#	DESCRIPTION	MAIN MATERIAL / NOTE	ASTM, AISI CODE	RELATED EN CODE	Q'TY
1	Power Cable	Chloroprene Sheath AWG4/4-65ft			1
3	Gland	Stainless Steel Casting	A743 CF-8M	GX5CrNiMo19-11-2	1
6	Stuffing Box	Stainless Steel Casting	A743 CF-8M	GX5CrNiMo19-11-2	1
20A	Upper Pump Casing	Stainless Steel Casting	A743 CF-8M	GX5CrNiMo19-11-2	1
20B	Middle Pump Casing	Stainless Steel Casting	A743 CF-8M	GX5CrNiMo19-11-2	1
20C	Lower Pump Casing	Stainless Steel Casting	A743 CF-8M	GX5CrNiMo19-11-2	1
21	Impeller	Stainless Steel Casting	A743 CF-8M	GX5CrNiMo19-11-2	2
23	Suction Strainer	Stainless Steel	S 31600	1.4401	1
25	Mechanical Seal	Silicon Carbide / HT-4550N			1
26	Labyrinth Ring	Stainless Steel	S 31600	1.4401	2
29	Oil Casing	Stainless Steel Casting	A743 CF-8M	GX5CrNiMo19-11-2	1
30	Oil Lifter	PBT Resin W/GF40			1
35	Oil Plug	Stainless Steel	S 31600	1.4401	3
36	Lubricant	Turbine Oil ISO VG32 or SAE 10W-20			
37	Discharge Pipe	Stainless Steel / 3" JIS10K	S 31600	1.4401	1
43	Cathodic Protection Plate	Aluminium Alloy			2
48	Companion Flange	Stainless Steel Casting / NPT3" JIS10K	A743 CF-8M	GX5CrNiMo19-11-2	1
50	Motor Bracket	Stainless Steel Casting	A743 CF-8M	GX5CrNiMo19-11-2	1
51	Head Cover	Stainless Steel Casting	A743 CF-8M	GX5CrNiMo19-11-2	1
52A	Upper Bearing	#6307ZC3			1
52B	Lower Bearing	#7311DBC3			1
53	Motor Protector				1
54	Shaft	Stainless Steel (Wet end)	S 31600	1.4401	1
55	Rotor				1
56	Stator				1
60	Bearing Housing	Stainless Steel Casting	A743 CF-8M	GX5CrNiMo19-11-2	1
64	Motor Housing	Stainless Steel Casting	A743 CF-8M	GX5CrNiMo19-11-2	1
65	Outer Cover	Stainless Steel	S 31600	1.4401	1
71A	Shaft Sleeve (Upper)	Stainless Steel	S 31600	1.4401	1
71B	Shaft Sleeve (Lower)	Stainless Steel	S 31600	1.4401	1
72	Lifting Lug Bolt	Stainless Steel	S 31600	1.4401	2

PARTS LIST		HI PRESSURE DEWATERING PUMP			5/25/2018	
ITEM	PART No.	DESCRIPTION	QTY	SIZE	MATERIAL	NOTES
1	141-004-20	Hex. Nut	2	M6	SUS316	
2	010-000-39	Cable Clip	2		SUS316	N4-12143-1T
3	009-117-11	Terminal	3	R-22-6	CU	
4	009-107-18	Terminal	1	R-14-6	CU	
5	009-116-10	Terminal	2	R-2-4	CU	
6	140-035-27	Hex. Bolt	2	M6x20	SUS316	
7	011-000-07	Shackle	1	6mm(M8,SC)	SUS316	
8	095-000-00	Chain	1	d5(9-Link)	SUS316	N3-13381-2T
9	072-103-36	Eye Bolt	2	M24	SUS316	
	142-000-00	Washer for Eye Bolt		d44xd25x0.3t/0.5t	SUS316	
10	001-000-00	Cabtyre Cable (Sold per meter)		3C22mm2+1C14mm2 +2C2mm2	2PNCT.F	
11	140-056-66	Hex. Bolt	4	M8x30	SUS316	
12	141-005-50	Hex. Nut	4	M8	SUS316	
13	003-000-00	Gland	1		SCS14	S4-02110-1
14	004-000-44	Cable Bush	1	d33xd58.5x24l	CR	
	005-000-22	Bush Washer	1	d35xd57x3t	SUS316	Under Cable Bush
15	140-076-20	Hex. Bolt	4	M10x30	SUS316	
	142-164-22	Spring Washer	4	M10	SUS316	
16	006-000-00	Stuffing Box	1	No.7	SCS14	S2-01754-1
17	122-135-22	O-Ring	1	G-120(119.4xd3.1)	FKM	*
18	008-132-19	Mould Cover	1	KRS-819/822(L)	NBR	
19	003-149-14	Gland (Lower)	1	No.5	FC	
20	141-000-45	Hex. Nut	4	M6	SWRM	
21	009-168-17	Terminal	3	R-22-S6	CU	
22	009-106-17	Terminal	3	R-8-6	CU	
23	140-029-28	Hex. Bolt	4	M6x10	SWRM	
24	200-000-23	Insulation Tape		540S(0.18T-30Wx30M)		
25	002-000-18	Heat Shrink Tube (Sold per meter)	m	W3F2(3/4IN)	(Vm)	
26	009-114-18	Connector	2	PC-4020M		
27	009-107-18	Terminal	1	R-14-6	CU	
	009-000-00	Grounding Wire	1set	14mm2		
	140-001-41	Hex. Bolt	1	M6x10	SUS316	
	142-162-20	Spring Washer	1	M6	SUS316	
	142-142-37	Plain Washer	1	M6	SUS316	
28	140-033-12	Hex. Bolt	4	M6x16	SUS304	
29	009-115-19	Connector	2	PC-4020F		
30		no parts				
31	002-164-12	Heat Shrink Tube (Sold per meter)	m	A4(d13x0.3t)	(Vm)	

PARTS LIST		HI PRESSURE DEWATERING PUMP			5/25/2018	
ITEM	PART No.	DESCRIPTION	QTY	SIZE	MATERIAL	NOTES
32	141-007-23	Hex. Nut	8	M12	SUS316	
33	142-165-23	Spring Washer	8	M12	SUS316	
34	144-001-11	Stud Bolt	8	M12x35(22/24)(JIS)	SUS316	
35	037-000-93	Flanged Discharge Pipe	1	100mmJIS20K,LH322W-14	SUS316	
36	121-447-14	Packing	1	d78xd152x1t	THREE SHEET	*
37	140-134-27	Hex. Bolt	4	M16x90	SUS316	
38	142-166-24	Spring Washer	4	M16	SUS316	
	142-001-21	Plain Washer	4	d16.5xd33.5x5t	SUS316	
39	121-001-95	Seal Washer	4	d15.5xd27d4t	FKM	*
40	051-000-70	Motor Head Cover	1	MJA6139Z,LH311/322W-14	SCS14	
41	122-147-27	O-Ring	1	G-180(179.3xd5.7)	FKM	*
42	140-001-42	Pan Screw	2	M5x10	SUS316	
43	214-006-18	Blind Cover	1	d100x1.6t	SPHC	
44	016-114-10	Lead Wire Protection Bush	1	GH-637/837(for 5 cores)	SBR	
45	016-113-19	Lead Wire Protection Bush	1	GH-422/430(for 3 cores)	SBR	
46	140-100-24	Hex. Bolt	6	M12x45	SUS316	
47	142-165-23	Spring Washer	6	M12	SUS316	
48	050-001-34	Motor Bracket	1	MJA6139Z,LH311/322W-14	SCS14	
49A	142-199-13	Wave Washer	1	6208/6307	SK5	
49	052-000-00	Bearing	1	6307ZZC3		
49B	122-127-18	O-Ring	1	G-80(79.4xd3.1)	NBR	*
50	121-001-96	Packing	2	LH322W-14	FKM	*
51	065-000-00	Outer Cover	1	LH322W-14	SUS316	
52	055-000-00	Rotor	1Set			
53	147-000-78	Impeller Key	2	10x8x25L	SUS316	
54	056-000-00	Stator 460V-60Hz(USA)	1Set			
	053-309-19	Miniature Protector	3	9700K-46-215		
55	122-153-26	O-Ring	1	G-220(219.3xd5.7)	FKM	*
56	064-001-50	Motor Frame	1	MJA6139Z,LH311/322W-14	SCS14	
57	122-259-23	O-Ring	1	12xd3	FKM	*
58	144-000-00	Stator Set Bolt	1	M12(B=21)	SUS316	
59	122-000-90	O-Ring	1	V-150(148.5xd4)	FKM	*
60	122-000-91	O-Ring	1	G-195(184.3xd5.7)	FKM	*
61	121-463-16	Packing (Felt)	2	4x4.4x217l	Felt	
62	140-055-36	Hex. Bolt	4	M8x25	SUS316	
63	062-210-10	Bearing Cover	1	d55.5xd160x22t	FC	
64	052-000-00	Bearing	1Set	7311ADBC3		
65	142-244-14	Bearing Washer	1	AW11	SPCC	

PARTS LIST		HI PRESSURE DEWATERING PUMP			5/25/2018	
ITEM	PART No.	DESCRIPTION	QTY	SIZE	MATERIAL	NOTES
66	141-076-10	Bearing Nut	1	AN11	SS	
67	026-272-18	Oil Seal	1	SC-50689	NBR	
68	060-001-99	Bearing Housing	1	MJA6139Z,LH311/322W-14	SCS14	
69	121-395-16	Packing	3	d11.8xd18x3t	PE	*
70	035-000-00	Oil Plug	3	M12x14	SUS316	N4-00726-2T
71	142-165-23	Spring Washer	6	M12	SUS316	
72	140-100-24	Hex. Bolt	6	M12x45	SUS316	
73	122-127-18	O-Ring	1	G-80(79.4xd3.1)	NBR	*
74	028-000-27	Seal Housing	1	LH322W/430W-51/61	FC	
75	121-395-16	Packing	3	d11.8xd18x3t	PE	*
76	035-000-00	Oil Plug	1	M12x14	SUS316	N4-00726-2T
77	142-163-21	Spring Washer	4	M8	SUS316	
78	140-055-36	Hex. Bolt	4	M8x25	SUS316	
79	004-000-00	Cable Bush	1	LH322W/430W-51/61	FKM	
80	003-207-11	Gland	1	LH322W/430W-51/61	SUS316	
81	142-161-29	Spring Washer	2	M5	SUS316	
82	140-019-25	Hex. Bolt	2	M5x16	SUS316	
83	025-001-29	Mechanical Seal	1	HT-4550N	SIC, FKM	
84	143-070-23	Pan Screw	2	M5x6	SWRM	
85	030-136-12	Oil Lifter	1	HT-4550	Resin	
86	143-070-10	Pan Screw	6	M5x6	SWRM	
87	030-145-14	Seal Stopper	1	HT-4550	SPCC	
88	122-251-12	O-Ring	1	205xd3.8	NBR	*
89	029-000-00	Oil Casing	1	LH322W/430W	SCS14	S2-04126-1
90	142-164-22	Spring Washer	4	M10	SUS316	
91	140-000-90	Hex. Socket Cap Bolt	4	M10x30	SUS316	
92	071-000-90	Shaft Sleeve (Upper)	1	d40xd50x23t	SUS316	N4-010382-1T
93	144-001-12	Stud Bolt	4	M16x55(28/24)(JIS)	SUS316	
94	122-000-92	O-Ring	4	P-16(15.8xd2.4)	FKM	*
95	122-000-93	O-Ring	1	205xd3.8	FKM	*
96	122-000-94	O-Ring	1	310xd3.8	FKM	*
97	020-000-00	Pump Casing (Upper)	1	GHZ-322W(w/Labyrinth Ring)	SCS14	S1-00643-1
98	142-166-24	Spring Washer	4	M16	SUS316	
99	141-008-24	Hex. Nut	4	M16	SUS316	
100	140-125-25	Hex. Bolt	4	M16x45	SUS316	
101	142-166-24	Spring Washer	4	M16	SUS316	
102	122-000-94	O-Ring	1	310xd3.8	FKM	*
103	040-000-00	Impeller Shim		d41.5xd59x0.2t/0.3t	SUS316	N3-12180-5T

PARTS LIST		HI PRESSURE DEWATERING PUMP			5/25/2018	
ITEM	PART No.	DESCRIPTION	QTY	SIZE	MATERIAL	NOTES
104	021-000-00	Impeller (60Hz)	2	LH322W-14-61	SCS14	N2-13351-1
105	020-000-00	Pump Casing (Middle)	1	w/Mouth Ring, Labyrinth Ring	SCS14	
106	122-000-94	O-Ring	1	310xd3.8	FKM	*
107	071-000-70	Shaft Sleeve (Lower)	1	d40xd50x47t	SUS316	N4-010383-1T
108	142-001-22	Nord-Lock Washer	1	M30	SUS316	
109	141-000-00	Hex. Nut	1	M30, LH322W-14	SUS316	N4-00233-1T
110	020-000-00	Pump Casing (Lower)	1	LH322W-14	SCS14	S1-00644-1
111	142-166-24	Spring Washer	4	M16	SUS316	
112	140-126-26	Hex. Bolt	4	M16x50	SUS316	
113	141-007-23	Hex. Nut	2	M12	SUS316	
114	142-165-23	Spring Washer	2	M12	SUS316	
115	142-129-38	Plain Washer	2	M12	SUS316	
116	043-102-19	Cathodic Protection Plate	2	AB-1HS(75x70x20t)	Al	
117	140-096-26	Hex. Bolt	2	M12x25	SUS316	
118	144-001-13	Stud Bolt	4	M16x110(24.5/24.5)	SUS316	
119	023-002-05	Strainer Stand	1	LH322W-14	SUS316	
120	142-166-24	Spring Washer	4	M16	SUS316	
121	141-008-24	Hex. Nut	4	M16	SUS316	
		NPT Flange Version				
	048-000-81	Screwed Flange	1	NPT-3(JIS20K)	SCS14	
	121-001-97	Packing	1	JIS20Kx80mm	FKM	
	140-001-43	Hex. Bolt	8	M20x80	SUS316	
	141-009-41	Hex. Nut	8	M20	SUS316	
	142-168-42	Spring Washer	8	M20	SUS316	
	173-003-63	Packing O-Ring Set	1Set	(Marked by *)		
17	122-135-22	O-Ring (S.Box)	1	G-120(119.4xd3.1)	FKM	*
36	121-447-14	Packing (Discharge Pipe)	1	d78xd152x1t	THREE SHEET	*
39	121-001-95	Seal Washer (Motor Head Cover bolt)	4	d15.5xd27d4t	FKM	*
41	122-147-27	O-Ring (Head Cover/M.Bracket)	1	G-180(179.3xd5.7)	FKM	*
49B	122-127-18	O-Ring (Upp. Bearing)	1	G-80(79.4xd3.1)	NBR	*
50	121-001-96	Packing (M.Bracket/Out.Cover)	1	d291xd307.8x16.4t	FKM	*
50	121-001-96	Packing (Out.Cover/Brg.Housing)	1	d291xd307.8x16.4t	FKM	*
55	122-153-26	O-Ring (M.Bracket/M.Frame)	1	G-220(219.3xd5.7)	FKM	*
57	122-259-23	O-Ring (Stator Set Bolt)	1	12xd3	FKM	*
59	122-000-90	O-Ring (M.Frame/Brg.Housing)	1	V-150(148.5xd4)	FKM	*
60	122-000-91	O-Ring (M.Frame/Brg.Housing)	1	G-195(184.3xd5.7)	FKM	*
69	121-395-16	Packing (Oil Plug)	3	d11.8xd18x3t	PE	*
73	122-127-18	O-Ring (Brg.Housing/Seal Housing)	1	G-80(79.4xd3.1)	NBR	*

* Indicates items included in set

PARTS LIST		HI PRESSURE DEWATERING PUMP			5/25/2018	
ITEM	PART No.	DESCRIPTION	QTY	SIZE	MATERIAL	NOTES
75	121-395-16	Packing (Air Tightness Test Plug)	1	d11.8xd18x3t	PE	*
88	122-251-12	O-Ring (Brg.Housing/O.Casing)	1	205xd3.8	NBR	*
94	122-000-92	O-Ring (Upp. P.Casing Bolt)	4	P-16(15.8xd2.4)	FKM	*
95	122-000-93	O-Ring (O.Casing/Upp. P.Casing)	1	205xd3.8	FKM	*
96	122-000-94	O-Ring (Brg.Housing/Upp. P.Casing)	1	310xd3.8	FKM	*
102	122-000-94	O-Ring (Upp./Mid. P.Casing)	1	310xd3.8	FKM	*
106	122-000-94	O-Ring (Mid./Low. P.Casing)	1	310xd3.8	FKM	*
		Lubricant		Turbine Oil VG32 2,200ml		

PARTS LIST		HI PRESSURE DEWATERING PUMP			5/25/2018	
ITEM	PART No.	DESCRIPTION	QTY	SIZE	MATERIAL	NOTES

EXPLODED VIEW

LH322W-14-61

